

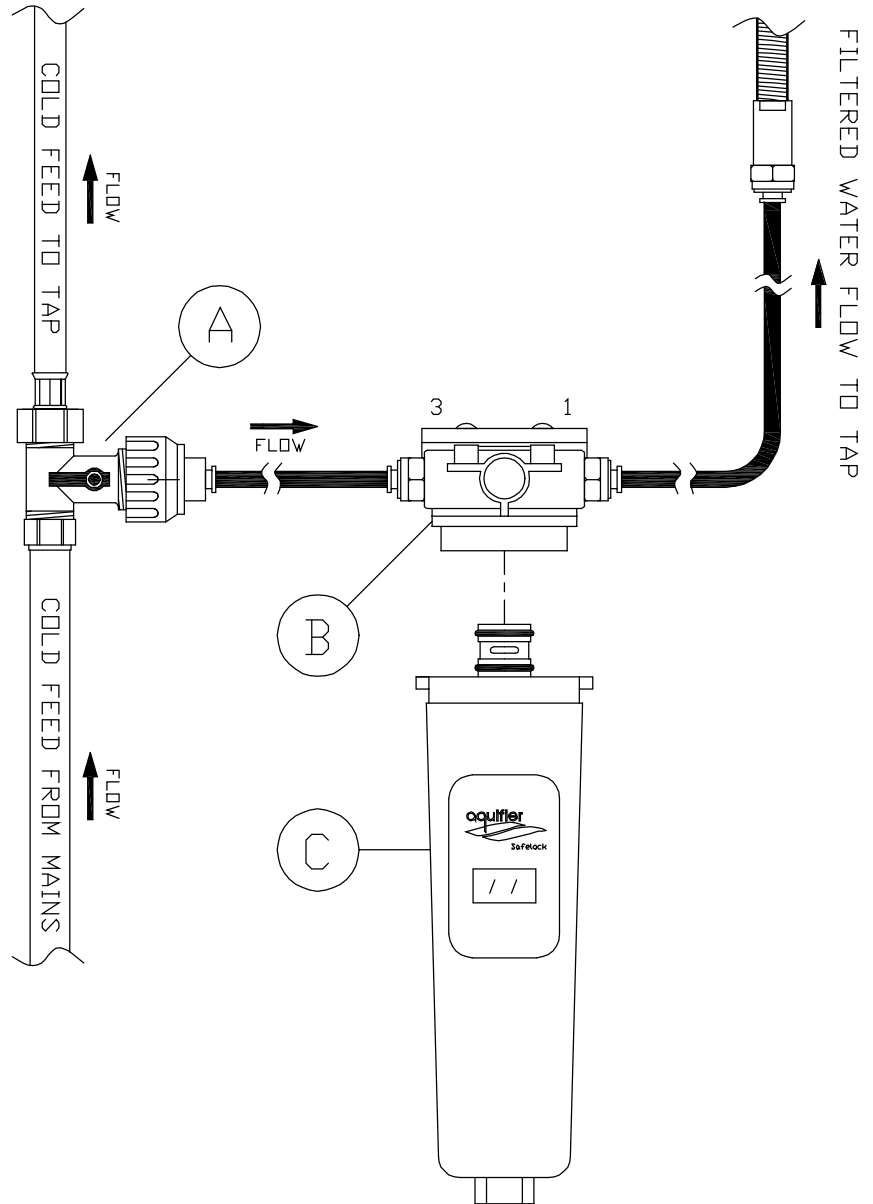
This filter system is designed to be changed by anyone, however if you are unsure you should take advice from a plumber.

You will not need any tools to change this filter, however we recommend you have a dry cloth and small bowl to collect the small amount of water that may be left within the system.

USING THE TAP:

For best results when using the filtered water always run the tap for a few moments. Running the tap will help to flush the system through and make the water cooler for drinking. When comparing the taste of filtered and unfiltered water always taste the filtered water first.

The triple stage filter is designed to improve the taste, clarity and odour of drinking water, the filter also reduces sediment, the level of chemical impurities and lime scale build up on kettles and cookware. Each filter cartridge has a maximum six month life depending upon your water quality.



STEP 1 - REMOVE YOUR EXISTING SAFELOCK FILTER:

1. Turn your mixertap on so filtered water runs through it.
2. Turn the lever on the isolator (A) to the closed position (fig 1.) Allow the mixertap to run until no water flow through it. Note: for customers with the previous version of the filter system, close the water off by turning the handwheel on the saddle valve.
3. Whilst holding the filter head (B) turn the filter cartridge (C) 90° then pull it away from the filter head (B). Note if the filter (C) is tight a spanner can put on to loosen it.

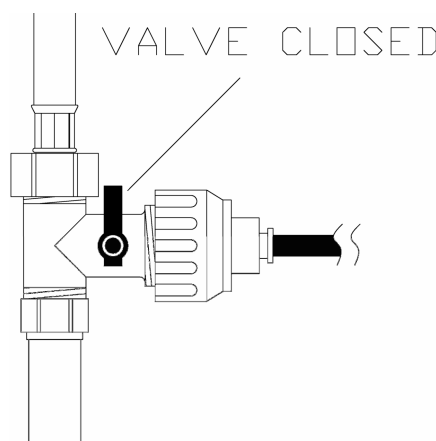


Fig 1.

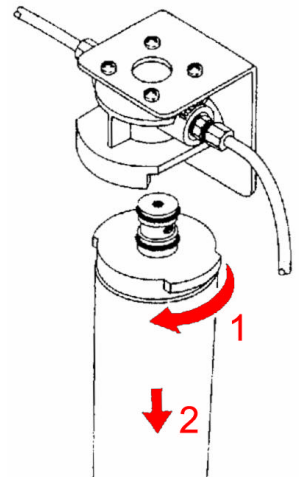


Fig 2.

STEP 2 - INSTALL YOUR NEW SAFELOCK FILTER:

4. Write the date of installation onto the label of the new filter cartridge (C).
5. Align the tabs on the filter (C) with the gaps in the base of the filter head (B). Fig.4.
6. Whilst holding the filter head (B) push the filter (C) upwards firmly into the head (B). Turn the filter cartridge (C) 90° to lock it in place. Fig.4.
7. Turn your mixer tap off.
8. Turn the lever on the isolator (A) to the open position (fig 3.) . Note: for customers with the previous version of the filter system, open the water by turning the handwheel on the saddle valve.
9. Now carefully check the entire system thoroughly for any leaks.

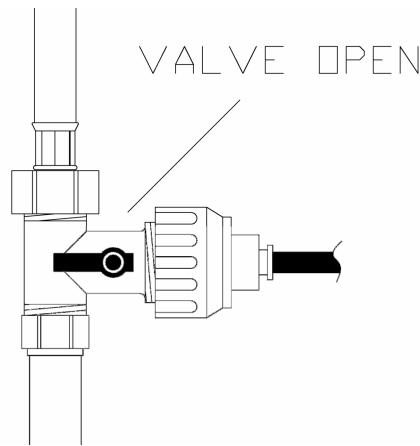


Fig 3.

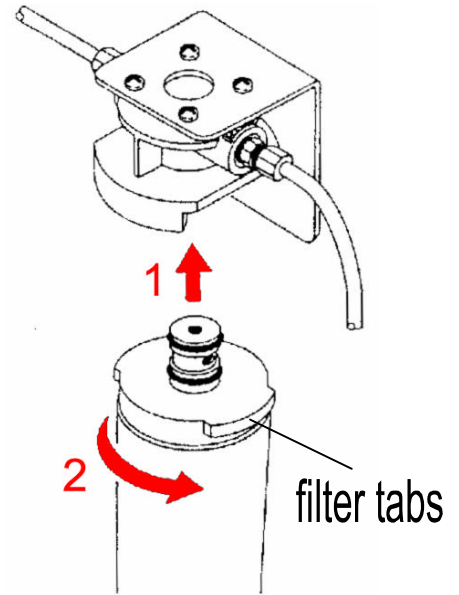


Fig 4.

STEP 3 – SET THE FLOW RATE:

Turn your mixertap on so filtered water runs through it. Note: when the filter is new it will take a moment to push any air though the system, you may notice some discoloration in the water at this point, this is normal and will pass with flushing.

The filtered drinking water system performs at a maximum of 2-3 L / min. Turn the mixertap fully on to filtered water, now turn the lever on the three way valve (A) (or the handwheel on the saddle valve for older models) to adjust the flow of filtered water to the correct level.

IMPORTANT TECHNICAL DATA:

These installation instructions have been prepared for your guidance and you must exercise due care at all times. We do not accept responsibility for problems that may occur through improper installation, PTFE tape should to used to ensure watertight joins on threaded connections, do not over tighten connections or allow pipes to be twisted or folded.

For use only with a microbiological safe potable drinking water supply. Note the filter performs best if mounted vertically.

If in doubt, ensure that the Mixertap is fitted & serviced by a trained and certified plumber. Please ensure that your kitchen mixer is fitted in accordance with Local Water Byelaws.

Recommended Min/Max Cold Water Pressure: 1.7 - 5.5 bar



Abode Home Products Limited, Unit L, Zenith Park, Whaley Road, Barnsley, S75 1HT.
Tel: 01226 283434 Fax: 01226 282434 www.abode.eu

All errors and omissions excepted.